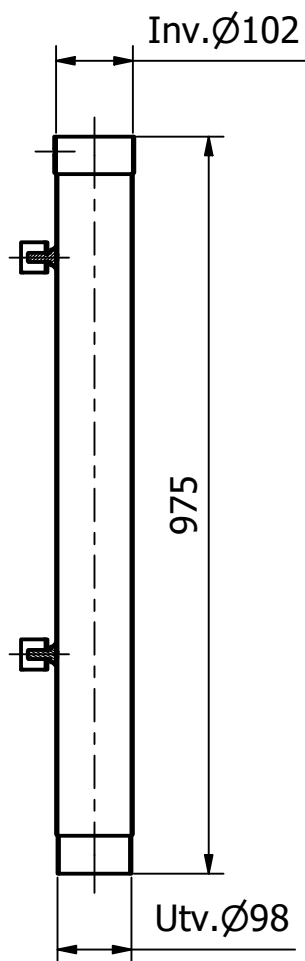
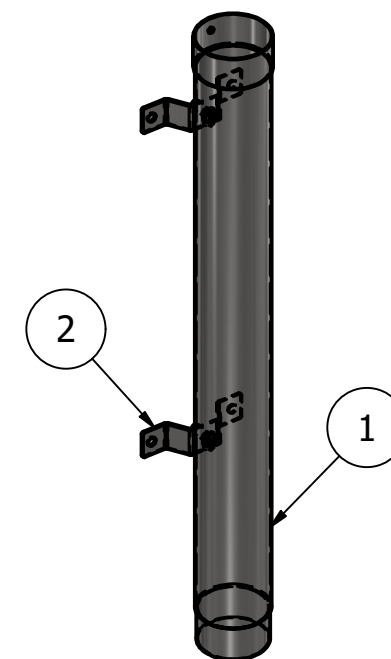
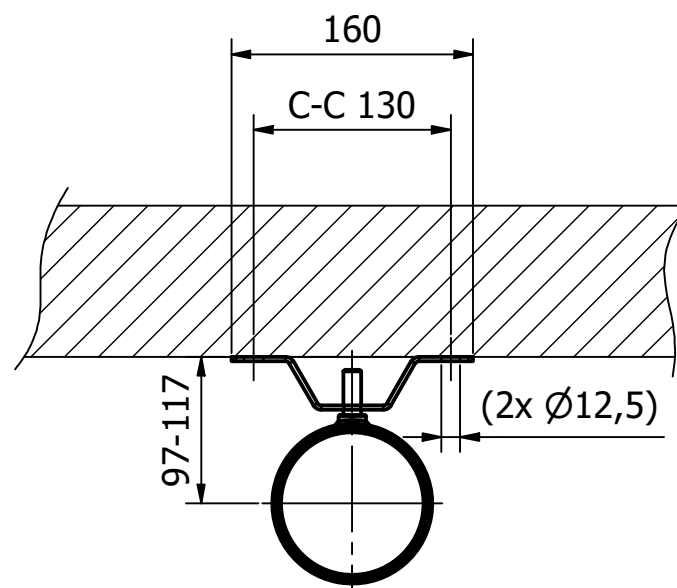


A-A ( 1:10 )



B ( 1:5 )



2	2	E1004-02	Väggfäste RF
1	1	EV8221LAGER	Vandlör Øy102 L975 VFZ Rak
ITEM	QTY	PART NUMBER	DESCRIPTION

PARTS LIST

Designed by PH	Checked by	Approved by	Date	Date 2021-08-31
-------------------	------------	-------------	------	--------------------

Basic tolerance principle ISO8015.  
General tolerances: ISO2768-mK resp. according to  
ISO13920-AE.  
Surface roughness according to ISO1302.  
All dimensions are in mm.



**PLANEVO**  
INDUSTRI

Smst. Vandlör Øy102 L975 VFZ Rak

EV8221

Edition

Sheet  
1 / 1