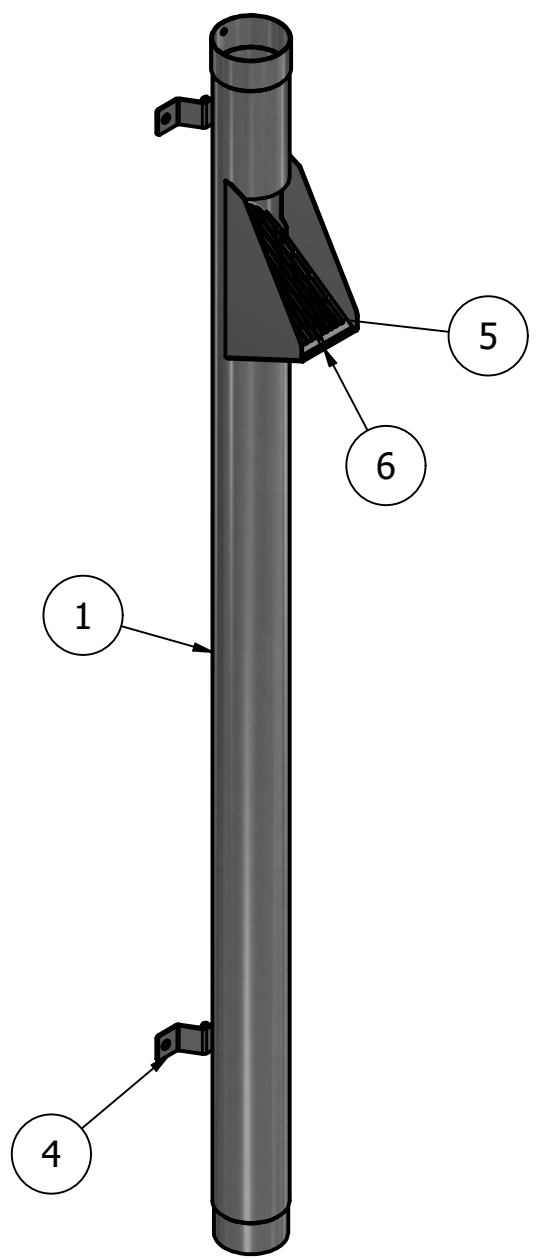
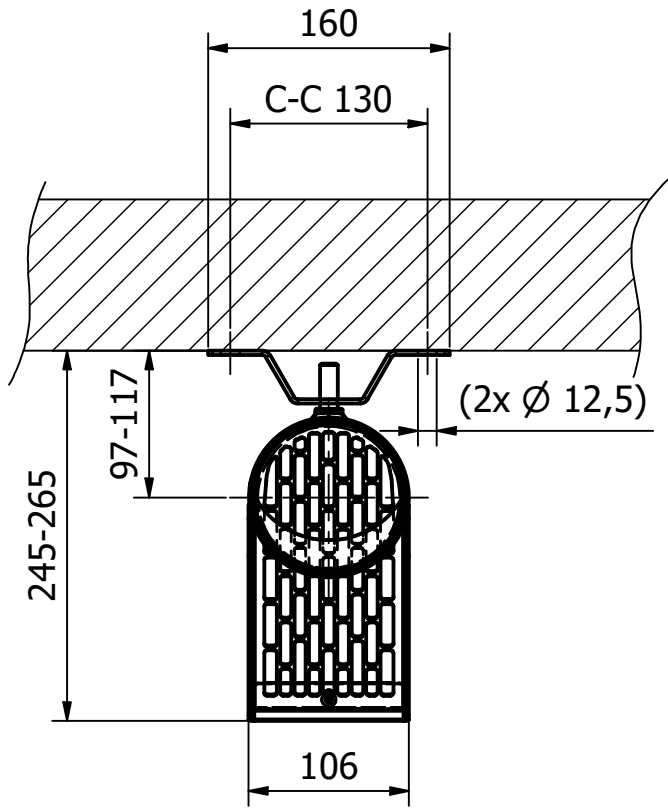
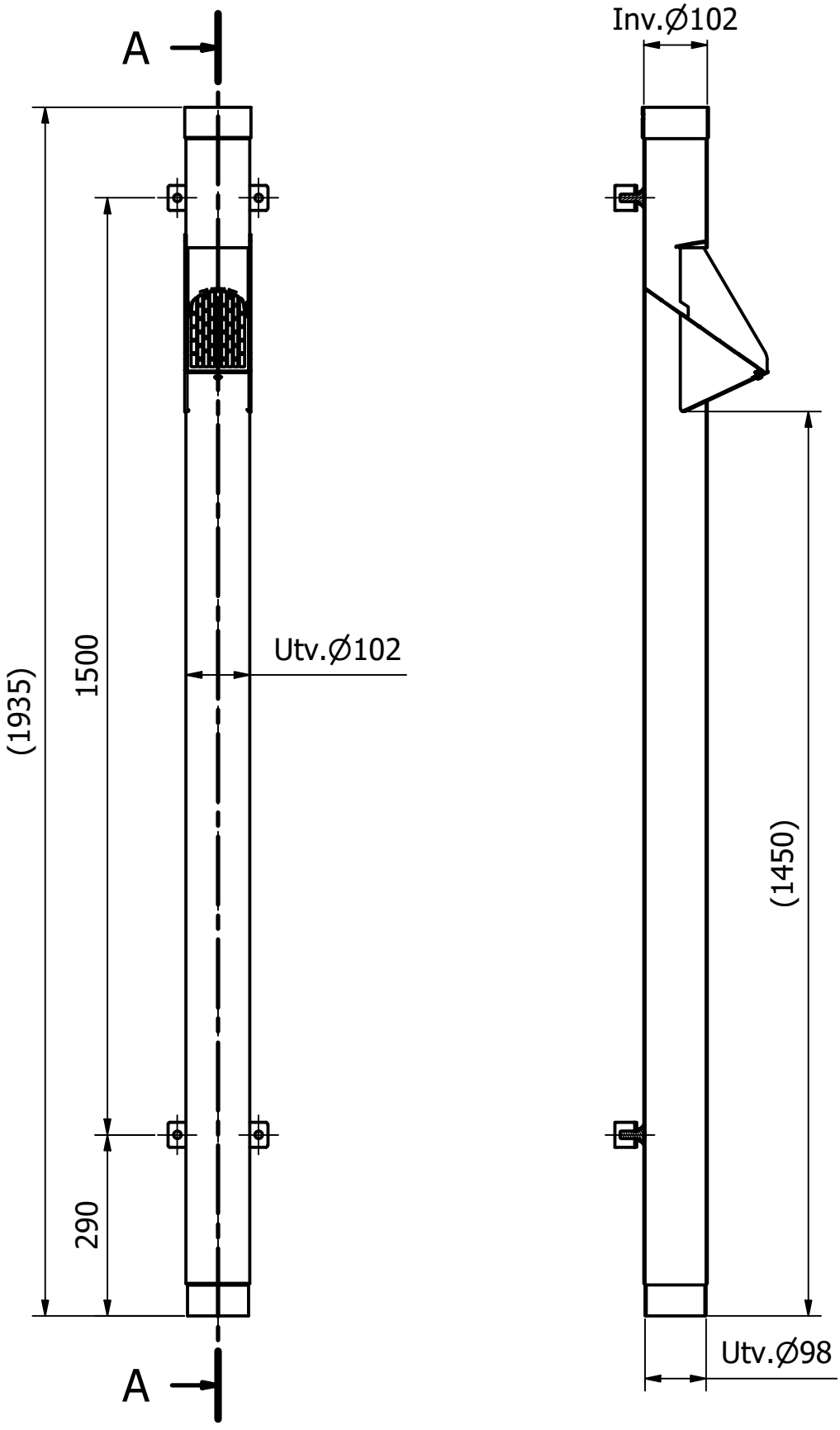


A-A ( 1 : 10 )


B ( 1 : 5 )



6	1	334090203	Skruv M5x10 T25 RF
5	1	E1003-02	Rensgaller RF
4	2	E1004-02	Väggfäste RF
1	1	EV8060LAGER	Vandalrör Øy102 L1935 VFZ Lövis
ITEM	QTY	PART NUMBER	DESCRIPTION

PARTS LIST

Designed by PH	Checked by	Approved by	Date	Date 2021-08-31
-------------------	------------	-------------	------	--------------------

	Smst.Vandalrör Øy102 L1935 VFZ Lövis		
	EV8060	Edition	Sheet 1 / 1

Basic tolerance principle ISO8015.  
General tolerances: ISO2768-mK resp. according to  
ISO13920-AE.  
Surface roughness according to ISO1302.  
All dimensions are in mm.