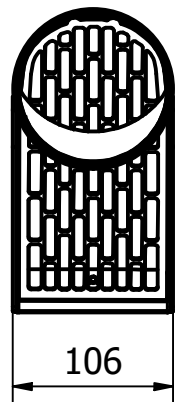
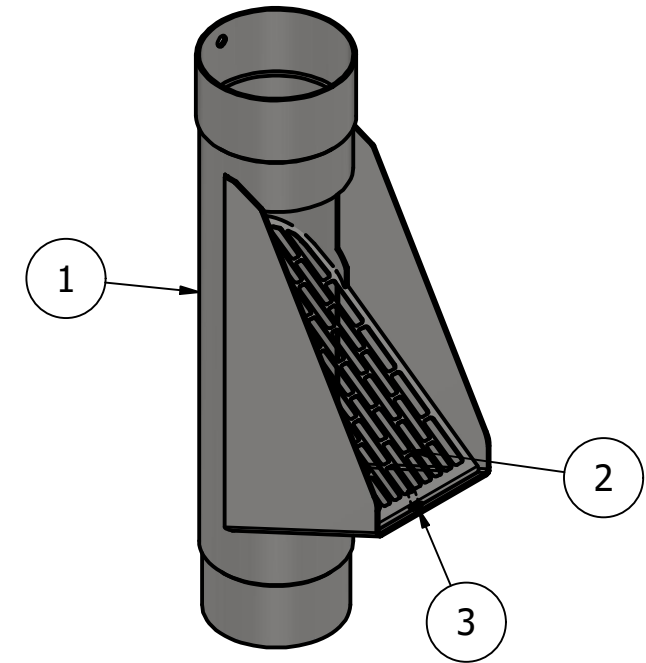
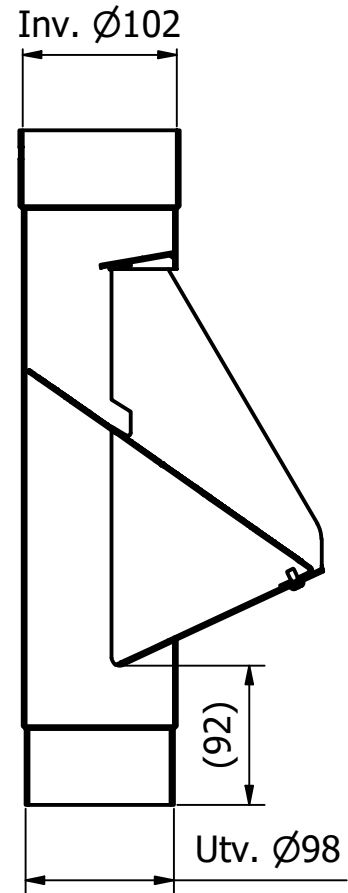
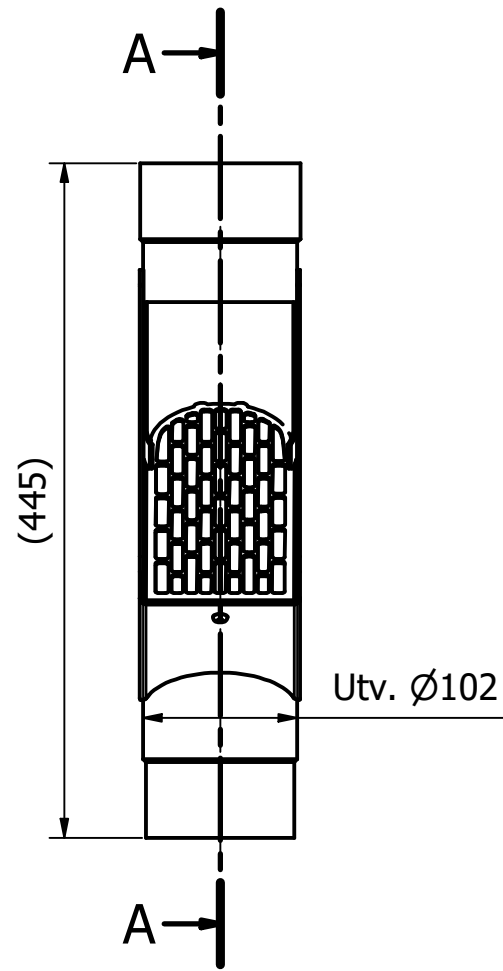



A-A ( 1 : 5 )



3	1	334090203	Skruv M5x10 T25 RF
2	1	E1003-02	Rensgaller RF
1	1	EV8041LAGER	Vandalsrör Øy102 L445 VFZ Lövis
ITEM	QTY	PART NUMBER	DESCRIPTION

PARTS LIST

Designed by PH	Checked by	Approved by	Date	Date 2021-08-30
-------------------	------------	-------------	------	--------------------

	Smst.Vandalsrör Øy102 L445 VFZ Lövis		
	EV8041	Edition	Sheet 1 / 1

Basic tolerance principle ISO8015.  
General tolerances: ISO2768-mK resp. according to  
ISO13920-AE.  
Surface roughness according to ISO1302.  
All dimensions are in mm.