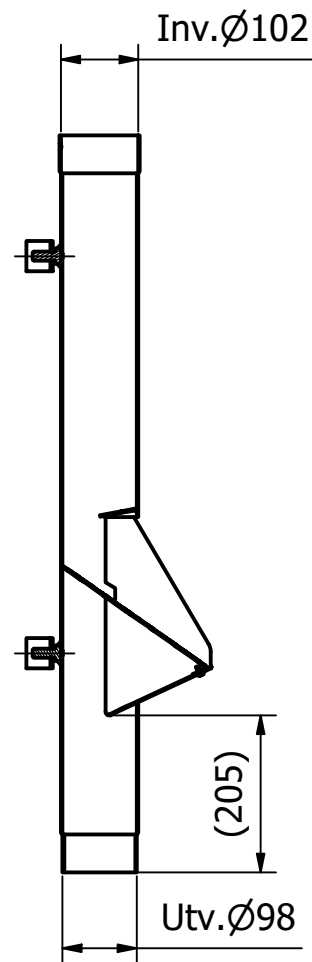
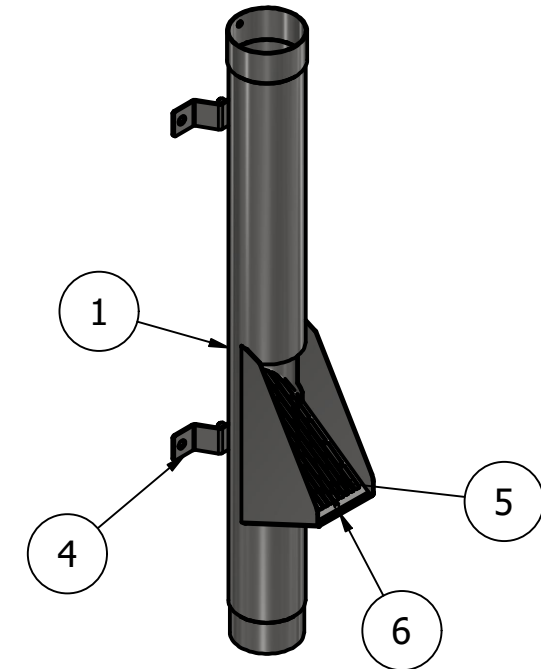
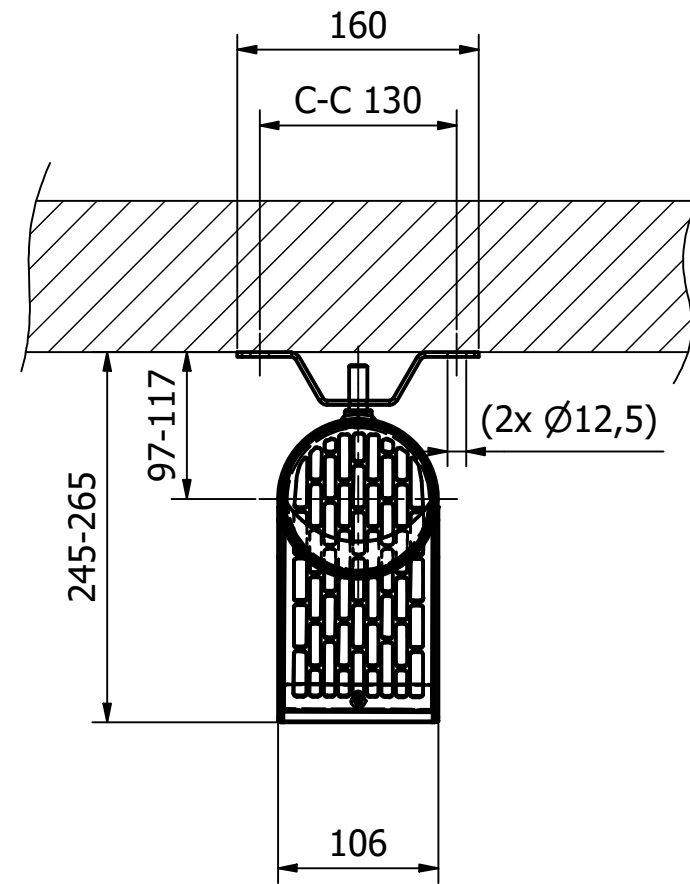


A-A (1 : 10)



B (1 : 5)



6	1	334090203	Skruv M5x10 T25 RF
5	1	E1003-02	Rensgaller RF
4	2	E1004-02	Väggfäste RF
1	1	EV8021LAGER	Vandlör Øy102 L975 VFZ Lövis
ITEM	QTY	PART NUMBER	DESCRIPTION

PARTS LIST

Designed by PH	Checked by	Approved by	Date	Date 2021-08-30
-------------------	------------	-------------	------	--------------------

Basic tolerance principle ISO8015.
General tolerances: ISO2768-mK resp. according to
ISO13920-AE.
Surface roughness according to ISO1302.
All dimensions are in mm.



PLANEVO
INDUSTRI

Smst.Vandlör Øy102 L975 VFZ Lövis

EV8021

Edition

Sheet
1 / 1