

(1935)
1500
Utv.Ø102

290

A-A (1 : 10)

Inv.Ø102

(205)

Utv.Ø98

B (1 : 5)

160

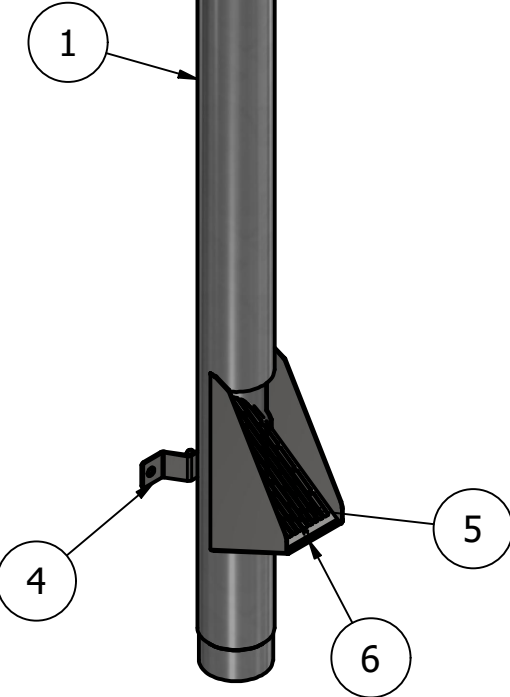
C-C 130

245-265

97-117

(2X Ø12,5)


106



6	1	334090203	Skruv M5x10 T25 RF
5	1	E1003-02	Rensgaller RF
4	2	E1004-02	Väggfäste RF
1	1	EV8001LAGER	Vandalrör Øy102 L1935 VFZ Lövis
ITEM	QTY	PART NUMBER	DESCRIPTION

PARTS LIST

Designed by PH	Checked by	Approved by	Date	Date 2021-08-30
-------------------	------------	-------------	------	--------------------

	Smst.Vandalrör Øy102 L1935 VFZ Lövis		
	EV8001	Edition	Sheet 1 / 1

Basic tolerance principle ISO8015.
General tolerances: ISO2768-mK resp. according to
ISO13920-AE.
Surface roughness according to ISO1302.
All dimensions are in mm.